



# Illustrated Parts List

## Model Series

# 21B900

TYPE NUMBERS  
0015 through 0202.

### TABLE OF CONTENTS

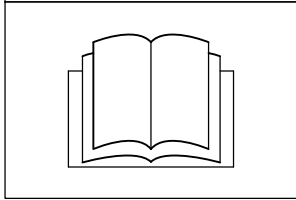
<b>Air Cleaner</b> .....	6
<b>Alternator</b> .....	9
<b>Blower Housing</b> .....	6
<b>Camshaft</b> .....	3
<b>Carburetor</b> .....	5
<b>Controls</b> .....	8
<b>Crankshaft</b> .....	3
<b>Cylinder</b> .....	2
<b>Cylinder Head</b> .....	4
<b>Electric Starter</b> .....	7
<b>Engine Sump</b> .....	2
<b>Fuel Supply</b> .....	8
<b>Flywheel</b> .....	7
<b>Gasket Set - Engine</b> .....	4
<b>Gasket Set - Valve</b> .....	4
<b>Governor Spring</b> .....	8
<b>Exhaust System</b> .....	6
<b>Ignition</b> .....	8
<b>Intake Manifold</b> .....	4
<b>Kit - Carburetor Overhaul</b> .....	5
<b>Lubrication</b> .....	3
<b>Operator's Manual</b> .....	2
<b>Piston, Rings, Connecting Rod</b> .....	3
<b>Rewind Starter</b> .....	7
<b>Valves</b> .....	4
<b>Warning Label</b> .....	2

PRINTED IN U.S.A.



COPYRIGHT by BRIGGS & STRATTON CORPORATION  
All rights reserved. No part of this material may be reproduced or transmitted,  
in any form or by any means, electronic or mechanical, including photocopying,  
recording or by any information storage and retrieval system, without permission  
in writing from Briggs & Stratton Corporation.

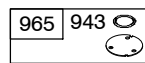
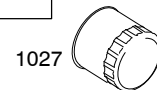
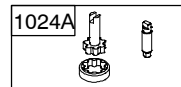
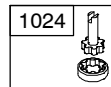
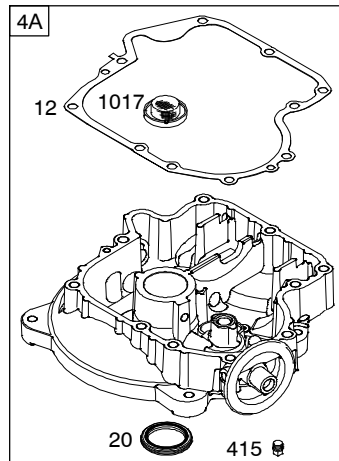
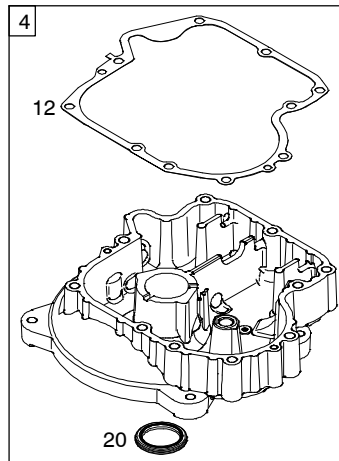
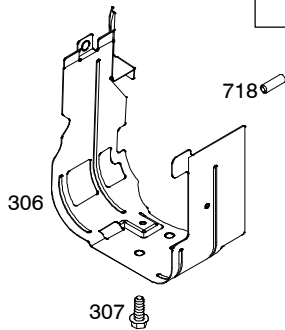
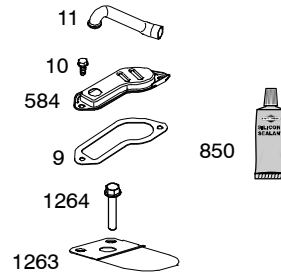
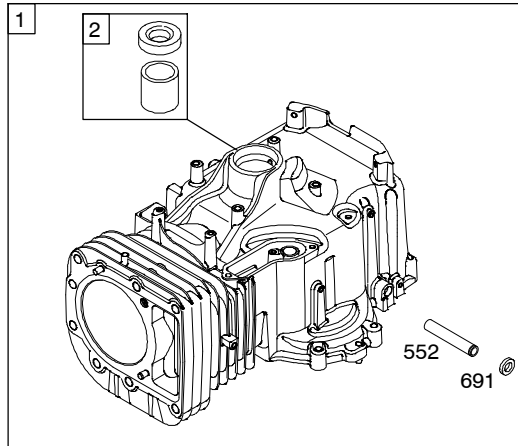
1058 OPERATOR'S MANUAL



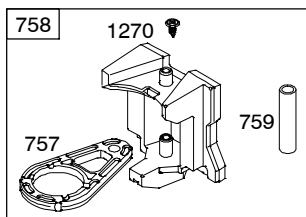
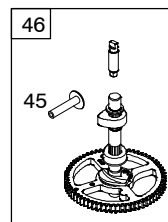
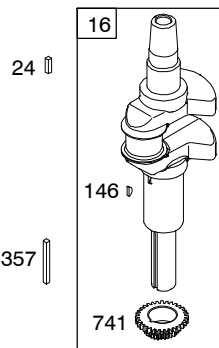
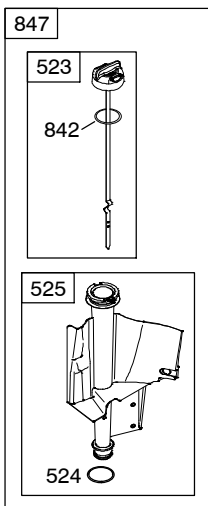
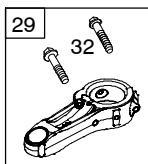
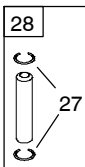
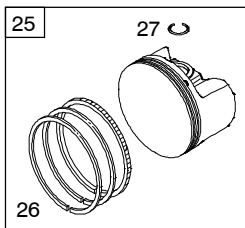
1319 WARNING LABEL

<b>WARNING</b>	
	Read and follow Operating Instructions before running engine.
	Gasoline is flammable. Allow engine to cool at least 2 minutes before refueling.
	Engines emit carbon monoxide, DO NOT run in enclosed area.
	Muffler area temperature may exceed 150°F. Do not touch hot parts.

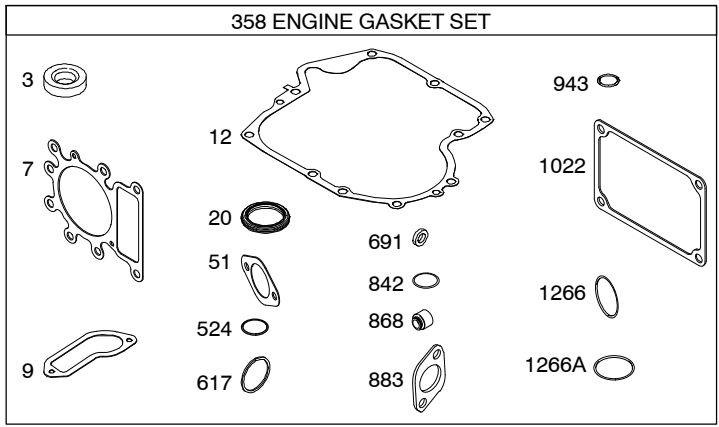
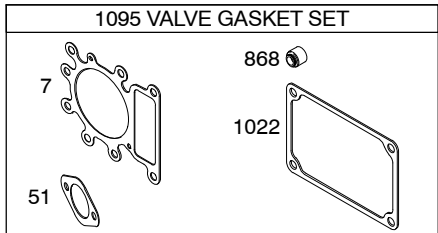
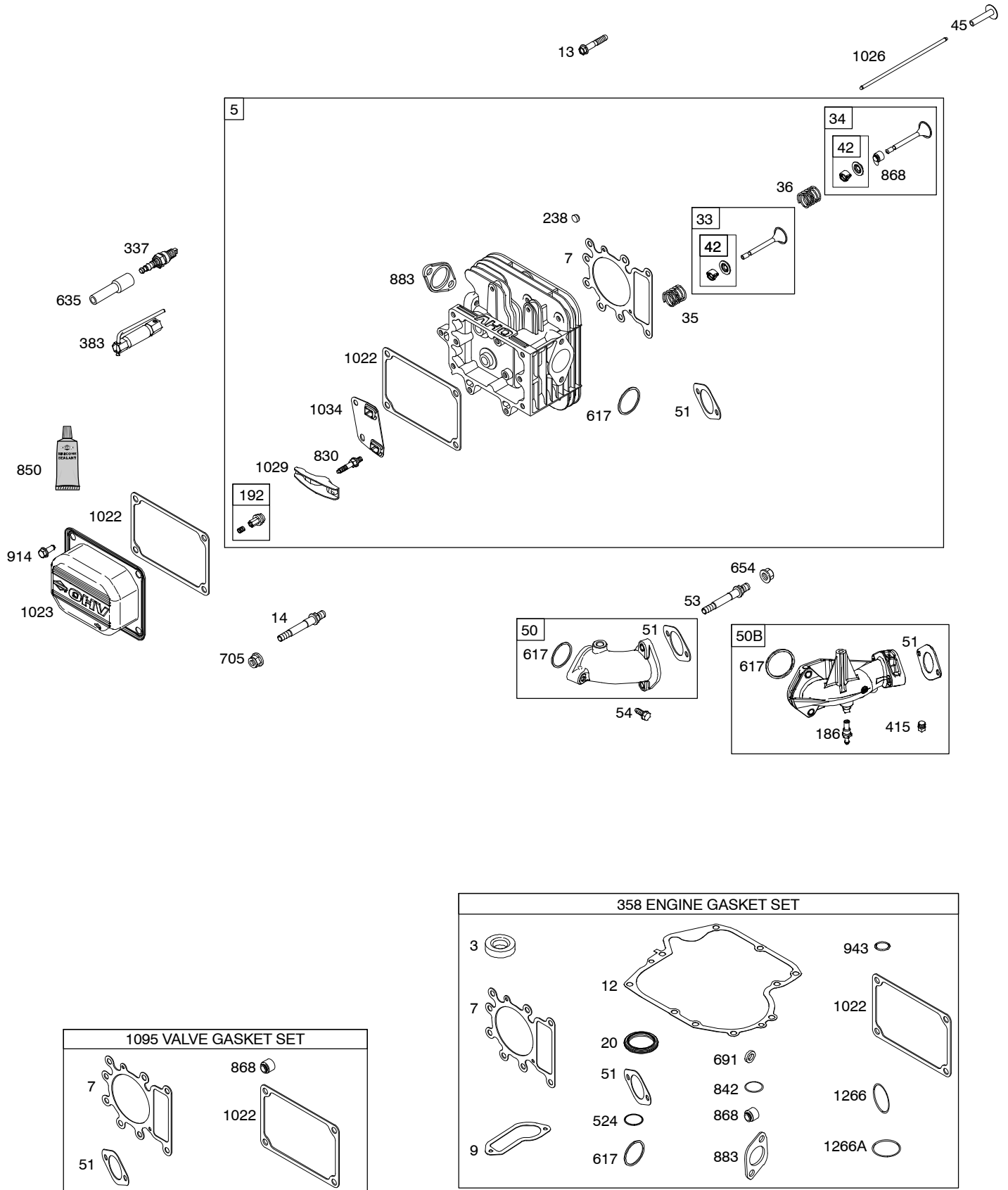
**REQUIRED** when replacing parts with warning labels affixed.



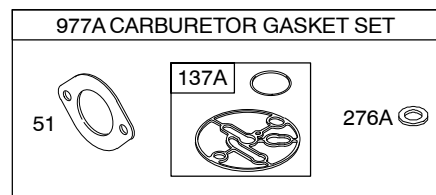
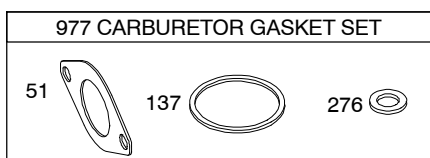
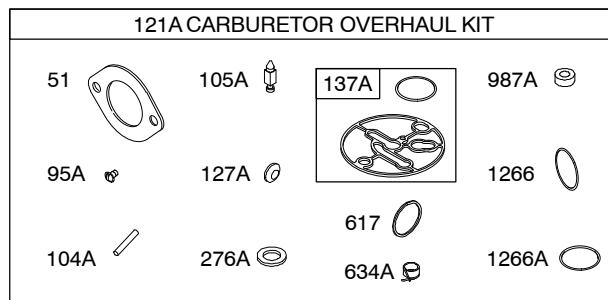
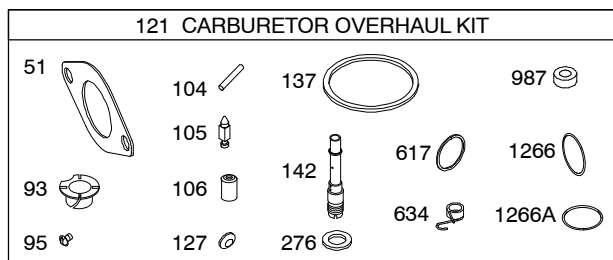
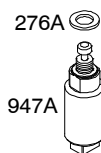
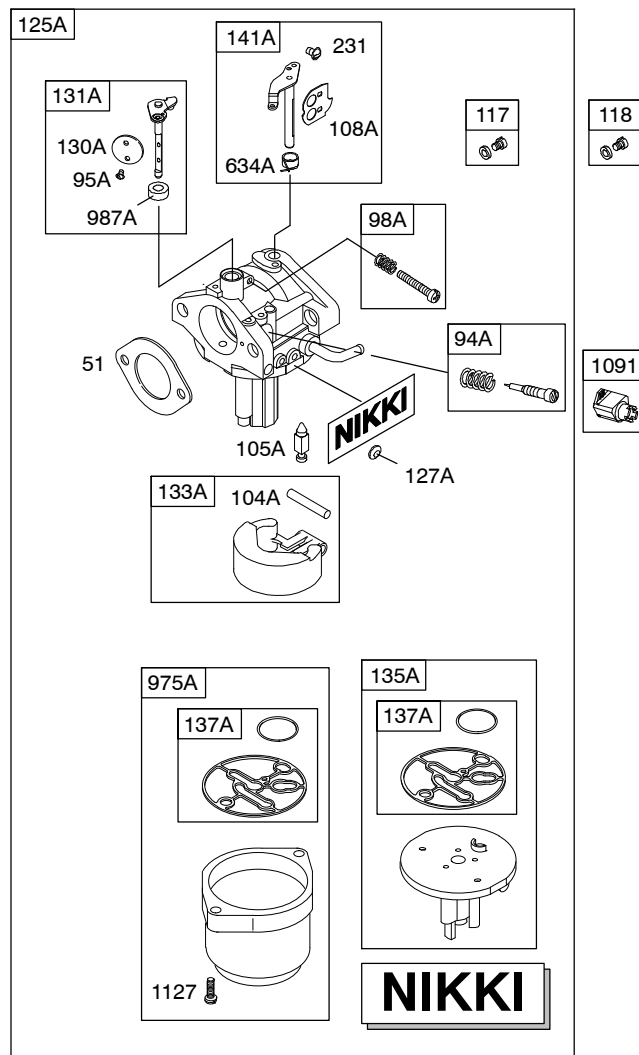
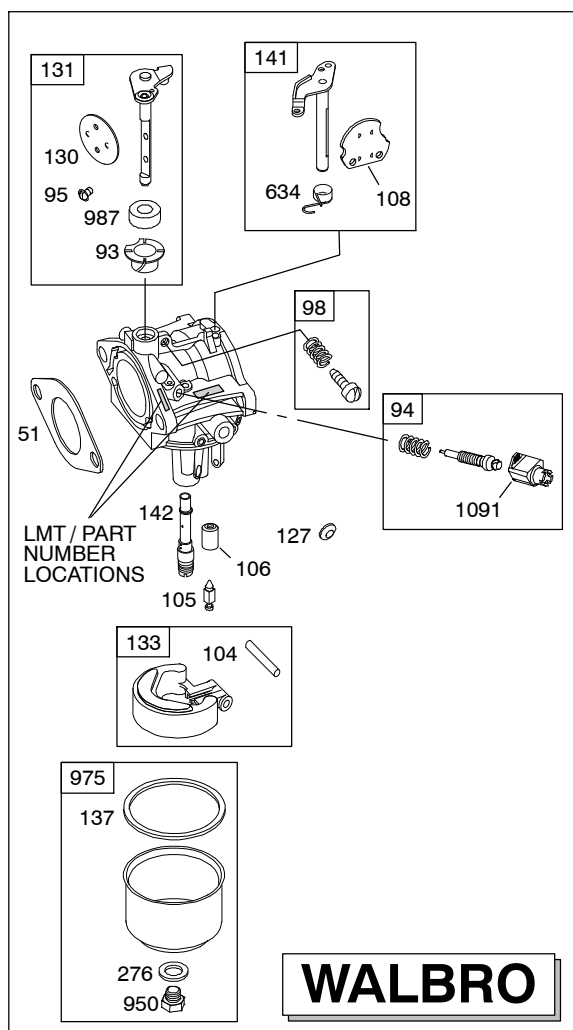
Illustrations cover a range of engines. Parts shown without corresponding text may not be used on your specific engine.



Illustrations cover a range of engines. Parts shown without corresponding text may not be used on your specific engine.  
 5036-3 Assemblies include all parts shown in frames. 06/18/2008

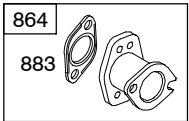
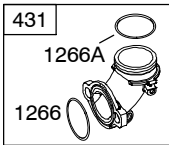
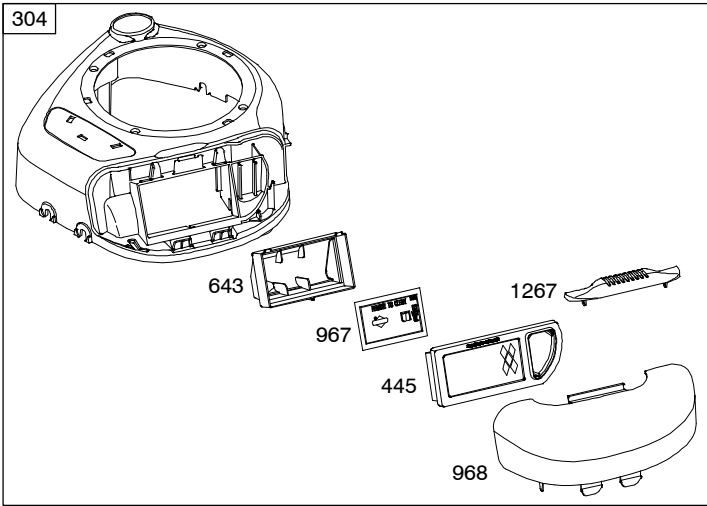


Illustrations cover a range of engines. Parts shown without corresponding text may not be used on your specific engine.

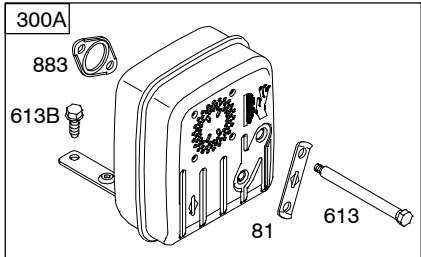
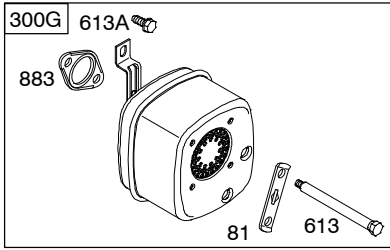
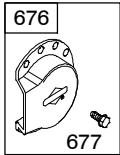


Illustrations cover a range of engines. Parts shown without corresponding text may not be used on your specific engine.

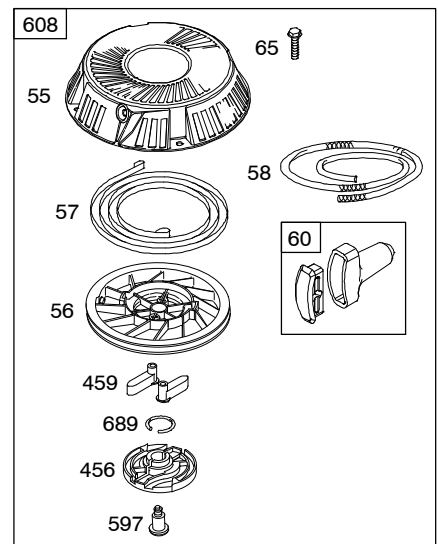
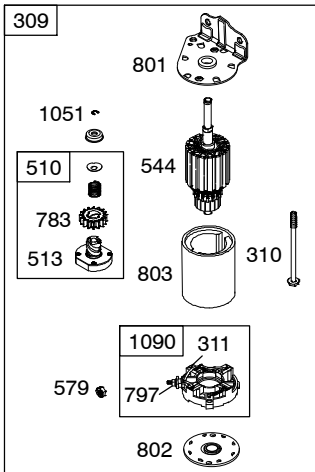
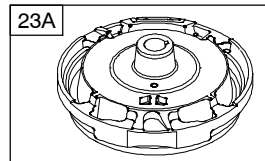
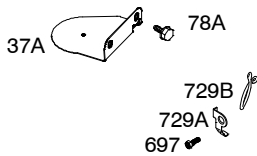
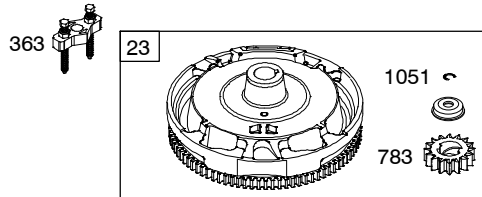
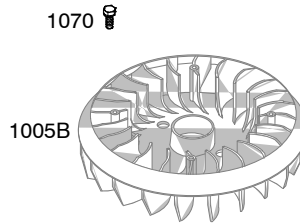
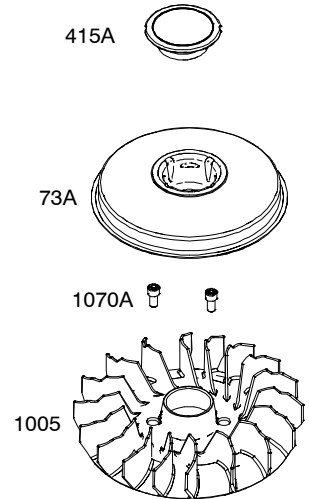
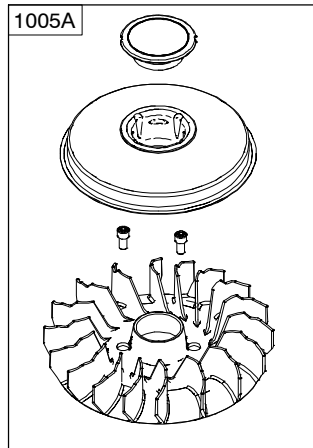
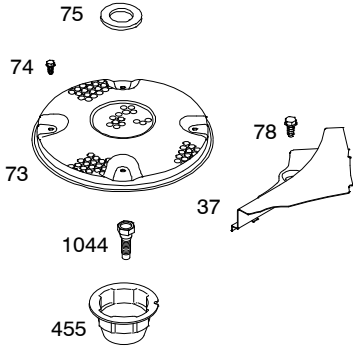
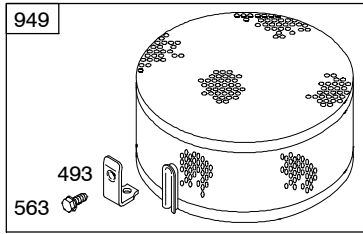
1036 EMISSIONS LABEL



823

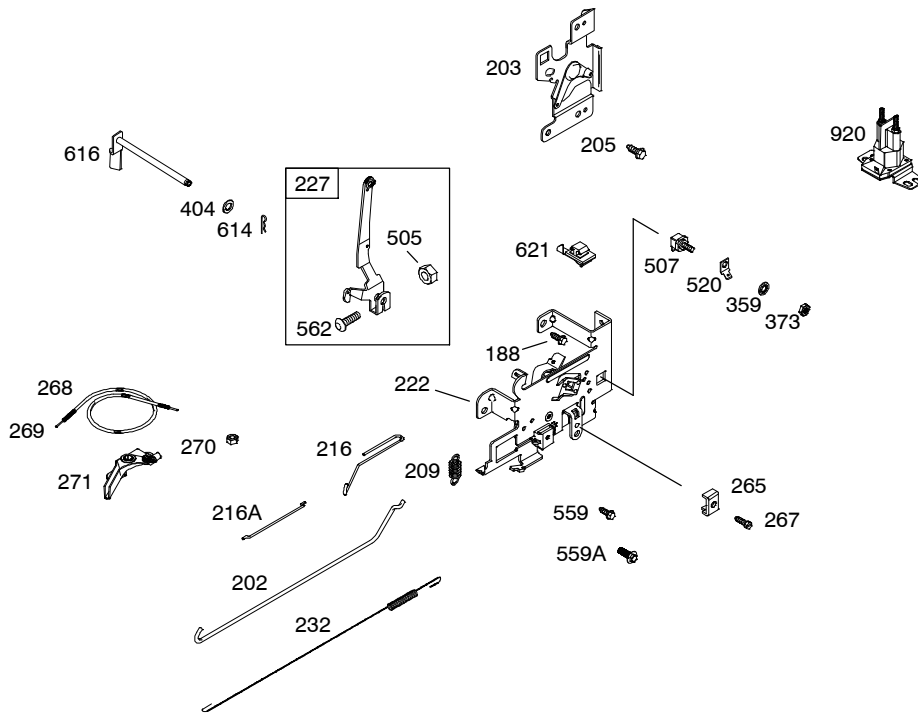
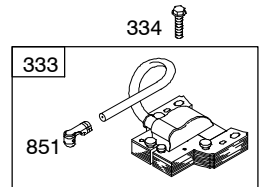
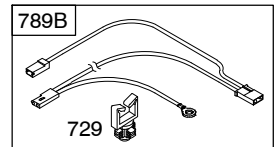
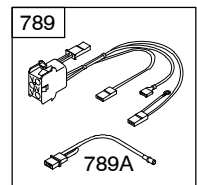
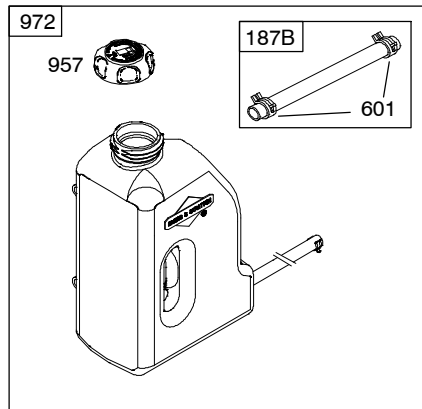
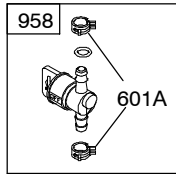
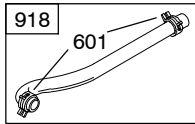
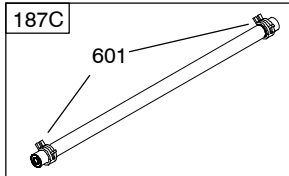
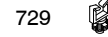
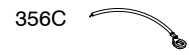
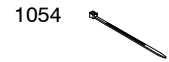
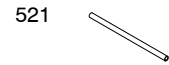
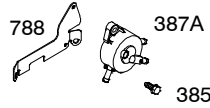
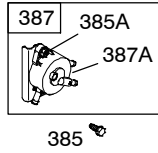
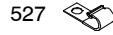
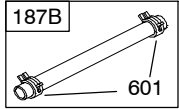
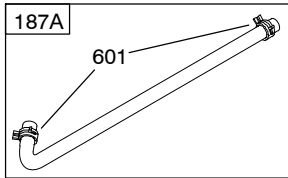
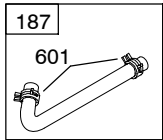


*Illustrations cover a range of engines. Parts shown without corresponding text may not be used on your specific engine.*



Illustrations cover a range of engines. Parts shown without corresponding text may not be used on your specific engine.

# 21B900



Illustrations cover a range of engines. Parts shown without corresponding text may not be used on your specific engine.



DC ONLY		DUAL CIRCUIT		TRI CIRCUIT		10 - 16 AMP	
474A	1059	474B	1059	474C	1059	474D	1059

--	--	--	--

**NOTE:** All stators use a No. 1119 mounting screw.

**NOTE:** The proper flywheel part number and/or the alternator magnet size will determine the alternator type or output. See repair instruction manual for additional information.

*Illustrations cover a range of engines. Parts shown without corresponding text may not be used on your specific engine.*

# 21B900

REF. NO.	PART NO.	DESCRIPTION	REF. NO.	PART NO.	DESCRIPTION	REF. NO.	PART NO.	DESCRIPTION
1	697377	Cylinder Assembly	5	792964	Head-Cylinder	23	698281	Flywheel
2	399265	Kit-Bushing/Seal (Magneto Side)	7★	Δ273280S	Gasket-Cylinder Head			Used on Type No(s). 0026, 0036, 0038, 0120, 0121, 0124, 0129, 0131, 0132, 0138, 0140, 0141, 0146, 0147, 0149, 0152, 0153, 0159, 0163, 0183, 0190, 0193, 0203.
3	★391086S	Seal-Oil (Magneto Side)	9	★697109	Gasket-Breather (Used Before Code Date 07071900). (After Date Code Use Liquid Sealant Reference 850)			----- <b>Note</b> ----- <b>693556</b> Flywheel Used on Type No(s). 0020, 0127, 0157, 0192, 0194, 0198, 0202.
4	697106	Sump-Engine (Used After Code Date 05100200). ----- <b>Note</b> ----- <b>795940</b> Sump-Engine (Used Before Code Date 05100200). Must Use Kit 795940, Includes Sump And Counterweight.	10	697157	Screw (Breather Assembly)			<b>693557</b> Flywheel Used on Type No(s). 0028, 0126, 0154, 0156, 0164.
4A	697188	Sump-Engine (Used After Code Date 05100200). Used on Type No(s). 0016, 0036, 0038, 0110, 0114, 0116, 0117, 0119, 0120, 0123, 0124, 0126, 0127, 0129, 0130, 0136, 0138, 0141, 0142, 0146, 0147, 0149, 0152, 0155, 0156, 0157, 0163, 0183, 0190, 0193, 0194, 0195, 0197, 0198, 0202. ----- <b>Note</b> ----- <b>795957</b> Sump-Engine (Used Before Code Date 05100200). Used on Type No(s). 0016, 0036, 0038, 0110, 0114, 0116, 0117, 0119, 0120, 0123, 0124, 0126, 0127, 0129, 0130, 0136, 0138, 0141, 0142, 0146, 0147, 0149, 0152, 0155, 0156, 0157, 0163, 0183, 0190, 0193, 0194, 0195, 0197, 0198, 0202. Must Use Kit 795957, Includes Sump And Counterweight.	11	794683	Tube-Breather (Used After Code Date 07071800). ----- <b>Note</b> ----- <b>697113</b> Tube-Breather (Used Before Code Date 07071900).			<b>698282</b> Flywheel Used on Type No(s). 0110, 0119, 0123, 0130, 0136, 0155, 0195, 0197.
			12	★697110	Gasket-Crankcase (.015" Thick) (Standard)	23A	693555	Flywheel (Rewind Starter) Used on Type No(s). 0015, 0016, 0117, 0142. ----- <b>Note</b> ----- <b>698283</b> Flywheel (Rewind Starter) Used on Type No(s). 0022, 0116.
			13	690360	Screw (Cylinder Head)			
			14	790560	Stud (Cylinder Head)			
			15	690946	Plug-Oil Drain (3/8" Standard)			
			16	697390	Crankshaft			
			20	★791892	Seal-Oil (PTO Side)			
			22	692125	Screw (Crankcase Cover/Sump)			

★ Included in Engine Gasket Set-Ref. No. 358.

● Included in Carburetor Overhaul Kit-Ref. No. 121 or 121A.

◆ Included in Carburetor Gasket Set-Ref. No. 977 or 977A.

Δ Included in Valve Gasket Set-Ref. No. 1095.

**Illustrations cover a range of engines. Parts shown without corresponding text may not be used on your specific engine.**

# 21B900

REF. NO.	PART NO.	DESCRIPTION	REF. NO.	PART NO.	DESCRIPTION	REF. NO.	PART NO.	DESCRIPTION
24	222698S	Key-Flywheel	51	★◆△692137	Gasket-Intake	81	691178	Lock-Muffler Screw
25	792305	Piston Assembly (Standard) ----- <b>Note</b> ----- 792728 Piston Assembly (.020" Oversize)	53	690227	Stud (Carburetor)	93	◆690602	Bushing-Throttle Shaft (Walbro)
26	792306	Ring Set (Standard) ----- <b>Note</b> ----- 792643 Ring Set (.020" Oversize)	54	691148	Screw (Intake Manifold)	94	498030	Kit-Idle Mixture (Walbro)
27	698469	Lock-Piston Pin (Used After Code Date 02100300). ----- <b>Note</b> ----- 698138 Lock-Piston Pin (Used Before Code Date 02100400).	55	695130	Housing-Rewind Starter	94A	793610	Kit-Idle Mixture (Nikki)
28	697099	Pin-Piston	56	695129	Pulley-Starter	95	◆691636	Screw (Throttle Valve) (Walbro)
29	791633	Rod-Connecting (Standard) ----- <b>Note</b> ----- 697262 Rod- Connecting (.020" Undersize) (Used Before Code Date 05040400).	57	695131	Spring-Rewind Starter	95A	◆690718	Screw (Throttle Valve)(Nikki)
32	791118	Screw (Connecting Rod)	58	695132	Rope-Starter	98	495800	Kit-Idle Speed (Walbro)
33	695760	Valve-Exhaust	60	493926	Grip-Starter Rope	98A	695408	Kit-Idle Speed (Nikki)
34	695761	Valve-Intake	65	690759	Screw (Rewind Starter) (Used After Code Date 07040800). ----- <b>Note</b> ----- 697725 Screw (Rewind Starter) (Used Before Code Date 07040900).	104	◆690525	Pin-Float Hinge (Walbro)
35	691279	Spring-Valve (Intake)	73		Screen-Rotating (Service With Flywheel Fan 794440) (Used Before Code Date 07040900).	104A	◆694918	Pin-Float Hinge (Nikki)
36	691279	Spring-Valve (Exhaust)	73A	794437	Screen-Rotating (Used After Code Date 07040800).	105	◆231855S	Valve-Float Needle (Walbro)
37	697352	Guard-Flywheel	74	697897	Screw (Rotating Screen) (Used Before Code Date 07040900).	105A	◆696136	Valve-Float Needle (Nikki)
37A	697626	Guard-Flywheel (Electric Start) Used on Type No(s). 0015, 0016, 0020, 0022, 0114, 0116, 0117, 0121, 0142, 0192, 0194, 0202.	75	690582	Washer (Flywheel)	106	◆690577	Seat-Inlet (Walbro)(Gravity Feed) ----- <b>Note</b> ----- ◆691780 Seat-Inlet (Walbro)(Pump Feed) Used on Type No(s). 0015, 0016, 0022, 0026, 0028, 0029, 0036, 0038, 0117, 0124, 0127, 0129, 0140, 0152, 0156, 0157, 0194, 0197, 0202.
42	499586	Keeper-Valve	78	691003	Screw (Flywheel Guard)	108	691227	Valve-Choke (Walbro)
43	691968	Slinger-Governor/Oil	78A	690364	Screw (Flywheel Guard) (Electric Start) Used on Type No(s). 0015, 0016, 0020, 0022, 0114, 0116, 0117, 0121, 0142, 0192, 0194, 0202.	108A	698773	Valve-Choke (Nikki)
45	690564	Tappet-Valve						
46	793880	Camshaft						
50	697361	Manifold-Intake						
50B	795756	Manifold-Intake Used on Type No(s). 0015G1, 0016G1, 0026G1, 0029G1, 0036G1, 0153, 0154, 0159, 0202G1, 0203.						

★ Included in Engine Gasket Set-Ref. No. 358.

◆ Included in Carburetor Overhaul Kit-Ref. No. 121 or 121A.

◆ Included in Carburetor Gasket Set-Ref. No. 977 or 977A.

△ Included in Valve Gasket Set-Ref. No. 1095.

**Illustrations cover a range of engines. Parts shown without corresponding text may not be used on your specific engine.**

# 21B900

REF. NO.	PART NO.	DESCRIPTION	REF. NO.	PART NO.	DESCRIPTION	REF. NO.	PART NO.	DESCRIPTION
117	794352	Jet–Main (Standard)(Nikki) (Used After Code Date 07011400). ----- <b>Note</b> ----- <b>699897</b> Jet–Main (Standard)(Nikki) (Used Before Code Date 07011500). <b>796079</b> Jet–Main (Standard)(Nikki) Used on Type No(s). 0015G1, 0016G1, 0026G1, 0029G1, 0036G1.	125A	794294	Carburetor (Nikki With Solenoid) Used on Type No(s). 0110, 0114, 0116, 0119, 0120, 0121, 0123, 0126, 0130, 0136, 0137, 0139, 0146, 0147, 0149, 0153, 0155, 0159, 0163, 0164, 0183, 0190, 0192, 0193, 0195, 0198, 0203. ----- <b>Note</b> ----- <b>790023</b> Carburetor (Nikki With Solenoid) Used on Type No(s). 0020, 0117, 0124, 0127, 0129, 0131, 0132, 0138, 0141, 0142, 0152, 0154, 0156, 0157, 0194, 0197, 0202. <b>794653</b> Carburetor (Used After Code Date 07122500). (Nikki Without Solenoid) Used on Type No(s). 0015E1, 0016E1, 0022, 0026E1, 0028, 0029E1, 0036B1, 0036E1, 0038, 0140. <b>791266</b> Carburetor (Nikki Without Solenoid) (Used Before Code Date 07122600). Used on Type No(s). 0015, 0016, 0022, 0026, 0028, 0029, 0036, 0038, 0140. <b>796077</b> Carburetor (Nikki With Solenoid) Used on Type No(s). 0015G1, 0016G1, 0026G1, 0029G1, 0036G1.	127	●694524	Plug–Welch (Walbro)
						127A	●690727	Plug–Welch (Nikki)
						130	790024	Valve–Throttle (Walbro) (Used After Code Date 04100300). ----- <b>Note</b> ----- <b>690468</b> Valve–Throttle (Walbro) (Used Before Code Date 04100400).
						130A	698774	Valve–Throttle (Nikki)
118	699898	Jet–Main (High Altitude)(Nikki) ----- <b>Note</b> ----- <b>796080</b> Jet–Main (High Altitude)(Nikki) Used on Type No(s). 0015G1, 0016G1, 0026G1, 0029G1, 0036G1.				131	790901	Kit–Throttle Shaft (Walbro)
						131A	698776	Kit–Throttle Shaft (Nikki)
						133	494381	Float–Carburetor (Walbro)
						133A	694914	Float–Carburetor (Nikki)
121	790031	Kit–Carburetor Overhaul (Walbro)				135A	698780	Tube–Fuel Transfer (Nikki)(Gravity Feed) ----- <b>Note</b> ----- <b>792022</b> Tube–Fuel Transfer (Nikki)(Pump Feed) Used on Type No(s). 0015, 0016, 0020, 0022, 0026, 0028, 0029, 0036, 0038, 0117, 0124, 0127, 0129, 0131, 0132, 0138, 0140, 0141, 0142, 0152, 0156, 0157, 0194, 0197, 0202.
121A	698787	Kit–Carburetor Overhaul (Nikki)						

★ Included in Engine Gasket Set–Ref. No. 358.

● Included in Carburetor Overhaul Kit–Ref. No. 121 or 121A.

◆ Included in Carburetor Gasket Set–Ref. No. 977 or 977A.

△ Included in Valve Gasket Set–Ref. No. 1095.

**Illustrations cover a range of engines. Parts shown without corresponding text may not be used on your specific engine.**

REF. NO.	PART NO.	DESCRIPTION	REF. NO.	PART NO.	DESCRIPTION	REF. NO.	PART NO.	DESCRIPTION
137	●♦281165S	Gasket-Float Bowl (Walbro)	202	691841	Link-Mechanical Governor	240	298090S	Filter-Fuel (Red, 150 Microns) Used on Type No(s). 0110.
137A	●♦698781	Gasket-Float Bowl (Nikki)	203	691381	Crank-Bell Used on Type No(s). 0020, 0028.			----- <b>Note</b> -----
141	790902	Kit-Choke Shaft (Walbro)	205	691693	Screw (Bell Crank)			<b>394358Ss</b> Filter-Fuel (White, 75 Microns) Used on Type No(s). 0114, 0116, 0119, 0120, 0121, 0123, 0126, 0130, 0136, 0137, 0139, 0146, 0147, 0149, 0153, 0159, 0155, 0163, 0164, 0183, 0190, 0192, 0193, 0195, 0198, 0203.
141A	698778	Kit-Choke Shaft (Nikki)	209	792602	Spring-Governor (Red) Used on Type No(s). 0015, 0016, 0020, 0022, 0026, 0028, 0029, 0036, 0038, 0116, 0117, 0119, 0120, 0126, 0127, 0129, 0130, 0136, 0140, 0142, 0146, 0147, 0152, 0153, 0154, 0155, 0156, 0163, 0183, 0190, 0194, 0195, 0198, 0203.	240A	691035	Filter-Fuel (Clear, 40 Microns) Used on Type No(s). 0015, 0016, 0020, 0022, 0026, 0028, 0029, 0036, 0038, 0117, 0124, 0127, 0129, 0131, 0132, 0138, 0140, 0141, 0142, 0152, 0154, 0156, 0157, 0194, 0197, 0202.
142	●790025	Nozzle-Carburetor (Standard)(Walbro) (Used After Code Date 04100300). ----- <b>Note</b> ----- <b>697491</b> Nozzle-Carburetor (Standard)(Walbro) (Used Before Code Date 04100400).			----- <b>Note</b> ----- <b>792813</b> Spring-Governor (Brown) Used on Type No(s). 0110, 0114, 0121, 0123, 0124, 0137, 0138, 0141, 0157, 0192, 0197, 0202.			
143	●790028	Nozzle-Carburetor (High Altitude)(Walbro) (Used After Code Date 04100300). ----- <b>Note</b> ----- <b>697492</b> Nozzle-Carburetor (High Altitude)(Walbro) (Used Before Code Date 04100400).	216	691840	Link-Choke	265	691024	Clamp-Casing
146	691639	Key-Timing	216A	691281	Link-Choke Used on Type No(s). 0020, 0022, 0028, 0038.	267	794904	Screw (Casing Clamp)
186	794873	Connector-Hose	222	694042	Bracket-Control	268	691025	Casing-Control Wire (Cut To Required Length)
187	791805	Line-Fuel (Formed)(10-1/4 Inches Long)(Cut To Required Length)	227	691374	Lever-Governor Control	269	691026	Wire-Control (Cut To Required Length)
187A	791806	Line-Fuel (Formed)(21 Inches Long)(Cut To Required Length)	231	691636	Screw (Choke Valve)	270	691027	Nut (Control Wire Casing)
187B	791766	Line-Fuel (15 Inches Long)(Cut To Required Length)	232	691842	Spring-Governor Link	271	691028	Lever-Control
187C	791745	Line-Fuel (23 Inches Long)(Cut To Required Length)	238	691843	Cap-Valve	276	●♦692255	Washer-Sealing (Walbro)
188	691693	Screw (Control Bracket)	239	491657S	Switch-Oil Pressure Used on Type No(s). 0142, 0157, 0202.	276A	●♦695410	Washer-Sealing (Nikki)
192	691986	Adjuster-Rocker Arm						

★ Included in Engine Gasket Set-Ref. No. 358.

● Included in Carburetor Overhaul Kit-Ref. No. 121 or 121A.

♦ Included in Carburetor Gasket Set-Ref. No. 977 or 977A.

△ Included in Valve Gasket Set-Ref. No. 1095.

**Illustrations cover a range of engines. Parts shown without corresponding text may not be used on your specific engine.**

# 21B900

REF. NO.	PART NO.	DESCRIPTION	REF. NO.	PART NO.	DESCRIPTION	REF. NO.	PART NO.	DESCRIPTION
<b>300A</b>	<b>697349</b>	Muffler Used on Type No(s). 0015, 0016, 0020, 0022, 0026, 0028, 0029, 0036, 0038, 0117, 0121, 0126, 0127, 0129, 0140, 0142, 0152, 0156, 0157, 0194.	<b>356</b>	<b>697397</b>	Wire-Stop	<b>455</b>	<b>695113</b>	Cup-Flywheel Used on Type No(s). 0015, 0016, 0020, 0022, 0028, 0029, 0114, 0117, 0121, 0126, 0127, 0137, 0138, 0139, 0141, 0142, 0146, 0154, 0156, 0157, 0164, 0192, 0194, 0202.
<b>300G</b>	<b>794660</b>	Muffler Used on Type No(s). 0110, 0116, 0120, 0123, 0124, 0138, 0141, 0146, 0154, 0192, 0197, 0202.	<b>356A</b>	<b>398808</b>	Wire-Stop	<b>456</b>	<b>695128</b>	Plate-Pawl Friction
<b>304</b>	<b>698473</b>	Housing-Blower (Black) ----- <b>Note</b> ----- <b>699085</b> Housing- Blower (Red)	<b>356B</b>	<b>697089</b>	Wire-Stop	<b>459</b>	<b>281505S</b>	Pawl-Ratchet
<b>305</b>	<b>697102</b>	Screw (Blower Housing)	<b>356C</b>	<b>399222</b>	Wire-Stop	<b>474A</b>	<b>696578</b>	Alternator (DC Only) Used on Type No(s). 0120, 0131, 0132, 0146.
<b>305A</b>	<b>697103</b>	Screw (Blower Housing)	<b>357</b>	<b>691483</b>	Key-Drive Pulley Used on Type No(s). 0119, 0127, 0130, 0136, 0155, 0156, 0195, 0198.	<b>474B</b>	<b>696459</b>	Alternator (Dual Circuit) Used on Type No(s). 0026, 0028, 0029, 0036, 0038, 0114, 0121, 0124, 0126, 0129, 0137, 0138, 0139, 0140, 0141, 0147, 0149, 0152, 0153, 0154, 0159, 0163, 0164, 0183, 0190, 0193, 0203.
<b>306</b>	<b>697359</b>	Shield-Cylinder	<b>373</b>	<b>691612</b>	Nut (Ground Terminal) Used on Type No(s). 0119, 0127.	<b>474C</b>	<b>696457</b>	Alternator (Tri Circuit) Used on Type No(s). 0020, 0110, 0119, 0123, 0127, 0130, 0136, 0155, 0156, 0192, 0194, 0195, 0197, 0198, 0202.
<b>307</b>	<b>691003</b>	Screw (Cylinder Shield)	<b>383</b>	<b>89838S</b>	Wrench-Spark Plug	<b>474D</b>	<b>696458</b>	Alternator (10-16 AMP) Used on Type No(s). 0157.
<b>309</b>	<b>693551</b>	Motor-Starter	<b>385</b>	<b>694476</b>	Screw (Fuel Pump)	<b>493</b>	<b>695450</b>	Bracket-Mounting (Debris Screen Guard) Used on Type No(s). 0116, 0120.
<b>310</b>	<b>690323</b>	Screw (Starter Motor)	<b>385A</b>	<b>690297</b>	Screw (Fuel Pump)			
<b>311</b>	<b>497608</b>	Brush Set	<b>387</b>	<b>697090</b>	Pump-Fuel (Includes Mounting Bracket) Used on Type No(s). 0015, 0016, 0026, 0029, 0036, 0117, 0124, 0127, 0129, 0131, 0132, 0138, 0140, 0141, 0142, 0152, 0154, 0156, 0157, 0194, 0197, 0202.			
<b>333</b>	<b>795315</b>	Armature-Magneto	<b>387A</b>	<b>808656</b>	Pump-Fuel			
<b>334</b>	<b>691061</b>	Screw (Magneto Armature)	<b>404</b>	<b>691691</b>	Washer (Governor Crank)			
<b>337</b>	<b>491055S</b>	Plug-Spark ----- <b>Note</b> ----- <b>691043</b> Plug-Spark Used on Type No(s). 0117, 0119, 0123, 0124, 0126, 0127, 0130, 0131, 0132, 0136, 0138, 0141, 0142, 0153, 0155, 0156, 0159, 0164, 0190, 0194, 0195, 0198, 0203.	<b>415</b>	<b>690283</b>	Plug			
			<b>415A</b>	<b>794129</b>	Plug (Cover/Retainer) (Used After Code Date 07040800).			
			<b>431</b>	<b>697122</b>	Elbow-Intake			
			<b>445</b>	<b>698413</b>	Filter-Air Cleaner Cartridge (Non Washable)			

★ Included in Engine Gasket Set-Ref. No. 358.

● Included in Carburetor Overhaul Kit-Ref. No. 121 or 121A.

◆ Included in Carburetor Gasket Set-Ref. No. 977 or 977A.

△ Included in Valve Gasket Set-Ref. No. 1095.

**Illustrations cover a range of engines. Parts shown without corresponding text may not be used on your specific engine.**

# 21B900

REF. NO.	PART NO.	DESCRIPTION	REF. NO.	PART NO.	DESCRIPTION	REF. NO.	PART NO.	DESCRIPTION
501A	794360	Regulator (5 To 9 Amp Regulated) Used on Type No(s). 0110, 0119, 0123, 0127, 0130, 0136, 0155, 0156, 0195, 0197, 0198.	525	697184	Tube-Dipstick Used on Type No(s). 0110, 0114, 0116, 0120, 0121, 0123, 0126, 0130, 0136, 0137, 0139, 0146, 0147, 0149, 0153, 0155, 0159, 0163, 0164, 0183, 0190, 0192, 0193, 0195, 0198, 203.	559A	693675	Screw (Remote Choke Stop) (Assemble Speed Limiter Screw in Number "2" Hole) Used on Type No(s). 0190.
501B	698315	Regulator (5 To 9 Amp Regulated) Used on Type No(s). 0020, 0192, 0194, 0202.			----- <b>Note</b> ----- <b>697085</b> Tube-Dipstick (Used On Engines With Fuel Pump) Used on Type No(s). 0015, 0016, 0020, 0022, 0026, 0028, 0029, 0036, 0038, 0117, 0124, 0127, 0129, 0131, 0132, 0138, 0140, 0141, 0142, 0152, 0154, 0156, 0157, 0194, 0197, 0202.	562	691119	Bolt (Governor Control Lever)
501C	790292	Regulator (Dual) Used on Type No(s). 0154.				563	695449	Screw (Debris Screen Guard)
501D	691185	Regulator (10 To 16 Amp Regulated) Used on Type No(s). 0157.				578	692306	Wire Assembly
505	691251	Nut (Governor Control Lever)	526A	697088	Screw (Regulator)(5 To 9 Amp Regulated)	579	691029	Nut (Starter Cable)
507	691972	Insulator Used on Type No(s). 0119, 0127.	526B	697348	Screw (Regulator)(5 To 9 Amp Regulated)	584	794682	Cover-Breather Passage (Used After Code Date 07071800). (Use With Liquid Sealant Reference 850)
510	693699	Drive-Starter						----- <b>Note</b> ----- <b>697112</b> Cover- Breather Passage (Used Before Code Date 07071900).
513	692024	Clutch-Drive				597	691696	Screw (Pawl Friction Plate)
520	691084	Terminal-Ground Used on Type No(s). 0119, 0127.				601	791850	Clamp-Hose
521	690581	Shield-Cable Used on Type No(s). 0124, 0137, 0138, 0139, 0141, 0164, 0183, 0192.	527	698467	Clamp-Tube Used on Type No(s). 0190.	601A	691038	Clamp-Hose
523	699908	Dipstick	527A	792167	Clamp-Tube Used on Type No(s). 0020, 0022, 0028, 0038, 0152, 0154.	608	695058	Starter-Rewind Used on Type No(s). 0015, 0016, 0020, 0022, 0028, 0029, 0114, 0116, 0117, 0120, 0121, 0126, 0127, 0137, 0138, 0139, 0141, 0142, 0146, 0154, 0156, 0157, 0164, 0192, 0194, 0202.
524	★691032	Seal-Dipstick Tube	544	692034	Armature-Starter	613	691416	Screw (Muffler)
			552	697144	Bushing-Governor Crank	613A	691678	Screw (Muffler)
			559	697561	Screw (Remote Choke Stop) (Assemble Remote/ Manual Choke Stop Screw in "R" Hole) Used on Type No(s). 0183, 0190.	613B	690297	Screw (Muffler)

★ Included in Engine Gasket Set-Ref. No. 358.

● Included in Carburetor Overhaul Kit-Ref. No. 121 or 121A.

◆ Included in Carburetor Gasket Set-Ref. No. 977 or 977A.

△ Included in Valve Gasket Set-Ref. No. 1095.

**Illustrations cover a range of engines. Parts shown without corresponding text may not be used on your specific engine.**

# 21B900

REF. NO.	PART NO.	DESCRIPTION	REF. NO.	PART NO.	DESCRIPTION	REF. NO.	PART NO.	DESCRIPTION
614	691620	Pin-Cotter	757	697607	Link-Counterweight	847	790442	Dipstick/Tube Assembly
616	692012	Crank-Governor	758	697391	Counterweight (Used After Code Date 05100200).			Used on Type No(s). 0110, 0114, 0116, 0120, 0121, 0123, 0126, 0130, 0136, 0137, 0139, 0146, 0147, 0149, 0153, 0155, 0159, 0163, 0164, 0183, 0190, 0192, 0193, 0195, 0198, 0203.
617	★692138	Seal-O Ring (Intake Manifold)			----- <b>Note</b> -----			----- <b>Note</b> -----
621	692310	Switch-Stop Used on Type No(s). 0119, 0127.			<b>795940</b> Counterweight (Used Before Code Date 05100300). Must Use Kit 795940, Includes Sump And Counterweight.			
634	●690802	Spring/Seal Assembly (Walbro)			<b>795957</b> Counterweight (Used Before Code Date 05100300). Used on Type No(s). 0016, 0036, 0038, 0110, 0114, 0116, 0117, 0119, 0120, 0123, 0124, 0126, 0127, 0129, 0130, 0136, 0138, 0141, 0142, 0146, 0147, 0149, 0152, 0155, 0156, 0157, 0163, 0183, 0190, 0193, 0194, 0195, 0197, 0198, 0202. Must Use Kit 795957, Includes Sump And Counterweight.			
634A	●698779	Spring/Seal Assembly (Nikki)						<b>790443</b> Dipstick/Tube Assembly (Used On Engines With Fuel Pump) Used on Type No(s). 0015, 0016, 0020, 0022, 0026, 0028, 0029, 0036, 0038, 0117, 0124, 0127, 0129, 0131, 0132, 0138, 0140, 0141, 0142, 0152, 0154, 0156, 0157, 0194, 0197, 0202.
635	691909	Boot-Spark Plug						
643	697155	Retainer-Air Filter						
654	690958	Nut (Carburetor)						
676	393761	Deflector-Muffler (Side Out) Used on Type No(s). 0015, 0016, 0020, 0022, 0026, 0028, 0029, 0036, 0038, 0123, 0127, 0129, 0138, 0140, 0141, 0152, 0154, 0156, 0157, 0197, 0202.						
676A	396903	Deflector-Muffler (Direct Out) Used on Type No(s). 0124.						
677	690661	Screw (Muffler Deflector)						
689	691855	Spring-Friction	759	697392	Pin-Counterweight			
691	★692407	Seal-Governor Shaft	783	693713	Gear-Pinion			
697	690372	Screw (Drive Cap)	788	699347	Bracket-Fuel Pump Used on Type No(s). 0020, 0022, 0028, 0038.	851	793351	Terminal-Spark Plug
705	790561	Nut (Fuel Tank)				864	697346	Adapter-Muffler Used on Type No(s). 0015, 0016, 0020, 0022, 0026, 0028, 0029, 0036, 0038, 0110, 0116, 0117, 0120, 0121, 0123, 0124, 0126, 0127, 0129, 0138, 0140, 0141, 0142, 0146, 0152, 0154, 0156, 0157, 0192, 0194, 0197, 0202.
718	690959	Pin-Locating	789	698329	Harness-Wiring			
729	691335	Clip-Wire (Wire Retainer)	789A	790544	Harness-Wiring			
729A	691224	Clip-Wire (Starter Motor)	789B	692037	Harness-Wiring			
729B	694123	Clip-Wire	797	693167	Nut (Brush Retainer)			
741	697128	Gear-Timing	801	691283	Cap-Drive			
750	790832	Screw (Oil Pump Cover)	802	691286	Cap-End			
			803		Housing-Starter (Not Serviced Separately, Order Starter Motor <b>693551</b> )			
			823	698941	Screw (Muffler Adapter)			
			830	691095	Stud-Rocker Arm			
			842	★691031	Seal-O Ring (Dipstick Tube)			
						868	★△690968	Seal-Valve
						877	393456	Wire/Connector- Alternator (Dual Circuit)
						877A	393814	Wire/Connector- Alternator (DC Only)
						877B	393537	Wire/Connector- Alternator (5 To 9 Amp Regulated)

★ Included in Engine Gasket Set-Ref. No. 358.

● Included in Carburetor Overhaul Kit-Ref. No. 121 or 121A.

◆ Included in Carburetor Gasket Set-Ref. No. 977 or 977A.

△ Included in Valve Gasket Set-Ref. No. 1095.

**Illustrations cover a range of engines. Parts shown without corresponding text may not be used on your specific engine.**



# 21B900

REF. NO.	PART NO.	DESCRIPTION	REF. NO.	PART NO.	DESCRIPTION	REF. NO.	PART NO.	DESCRIPTION
877C	399916	Wire/Connector–Alternator (10 To 16 Amp Regulated)	975A	699502	Bowl–Float (Nikki) ----- <b>Note</b> ----- 698783 Bowl–Float (Nikki) (Used After Code Date 04100300). Used on Type No(s). 0015, 0016, 0022, 0026, 0028, 0029, 0036, 0038, 0140.	1040	698368	Plate–Trim Used on Type No(s). 0131, 0132, 0159.
878	398661	Harness–Alternator	977	690192	Gasket Set–Carburetor (Walbro)	1040A	697381	Plate–Trim Used on Type No(s). 0026, 0036, 0038, 0110, 0119, 0123, 0124, 0129, 0130, 0136, 0140, 0147, 0149, 0152, 0153, 0155, 0163, 0183, 0190, 0193, 0195, 0197, 0198, 0203.
883	★692236	Gasket–Exhaust	977A	790032	Gasket Set–Carburetor (Nikki)	1044	698139	Screw (Flywheel)
914	691108	Screw (Rocker Cover)	987	●691326	Seal–Throttle Shaft	1051	691265	Ring–Retaining
918	791851	Hose–Vacuum (Molded) Used on Type No(s). 0015, 0016, 0026, 0029, 0036, 0117, 0124, 0127, 0129, 0131, 0132, 0138, 0140, 0141, 0142, 0152, 0154, 0156, 0157, 0194, 0197, 0202.	987A	●698777	Seal–Throttle Shaft	1054	280275	Tie–Cable
920	691656	Solenoid–Starter Used on Type No(s). 0130, 0136, 0154.	1005	794439	Fan–Flywheel (Used After Code Date 07040800).	1058	276344	Operator’s Manual
943	★690589	Seal–O Ring (Oil Pump Cover)	1005A	794440	Fan–Flywheel (Used Before Code Date 07040900).	1059	698516	Kit–Screw/Washer
947A	699915	Solenoid–Fuel	1005B		Fan–Flywheel (No Longer Available) (See Reference 1005A For Service Flywheel Fan).	1070	690372	Screw (Flywheel Fan) (Used Before Code Date 07040900).
949	695448	Guard–Debris Screen Used on Type No(s). 0116, 0120.	1017	690770	Screen–Oil Pump	1070A	690363	Screw (Flywheel Fan) (Used After Code Date 07040800).
950	691657	Screw–Float Bowl (Bottom Of Bowl)	1022★△272475S		Gasket–Rocker Cover (Used Before Code Date 07091000). (After Date Code Use liquid Sealant Reference 850)	1090	691293	Retainer–Brush
957	792647	Cap–Fuel Tank (Plastic)	1023	791079	Cover–Rocker	1091	691333	Cap–Limiter
958	698183	Valve–Fuel Shut Off (Plastic) Used on Type No(s). 0119, 0123, 0124, 0127, 0129, 0152, 0155, 0156, 0193, 0198.	1024	499054	Pump–Oil (Used Before Code Date 07051700).	1095	691581	Gasket Set–Valve
965	499613	Cover–Oil Pump	1024A	794644	Pump–Oil (Used After Code Date 07051600).	1119	691183	Screw (Alternator)
967	697292	Filter–Pre Cleaner	1026	697395	Rod–Push (Exhaust) ----- <b>Note</b> ----- 697394 Rod–Push (Intake)	1127	695407	Screw (Float Bowl)
968	697420	Cover–Air Cleaner (Black) ----- <b>Note</b> ----- 697422 Cover–Air Cleaner (Red)	1027	492932S	Filter–Oil	1263	697124	Reed–Breather
972	792168	Tank–Fuel (Plastic)	1029	691751	Arm–Rocker	1264	697104	Screw (Breather Reed)
975	495933	Bowl–Float (Walbro)	1034	690822	Guide–Push Rod Label–Emissions (Available From A Briggs & Stratton Authorized Dealer)	1266	★●691917	Seal–O Ring (Intake Elbow)
			1036			1266A	★●697123	Seal–O Ring (Intake Elbow)
						1267	697419	Latch–Blower Housing (Black) ----- <b>Note</b> ----- 697424 Latch–Blower Housing (Red)
						1270	697156	Plug–AVS Counterweight
						1319	794467	Label–Warning

★ Included in Engine Gasket Set–Ref. No. 358.

● Included in Carburetor Overhaul Kit–Ref. No. 121 or 121A.

◆ Included in Carburetor Gasket Set–Ref. No. 977 or 977A.

△ Included in Valve Gasket Set–Ref. No. 1095.

**Illustrations cover a range of engines. Parts shown without corresponding text may not be used on your specific engine.**